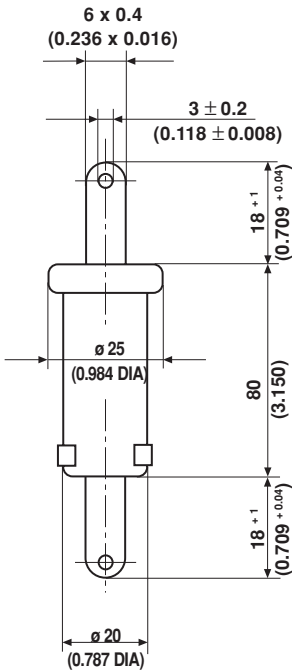
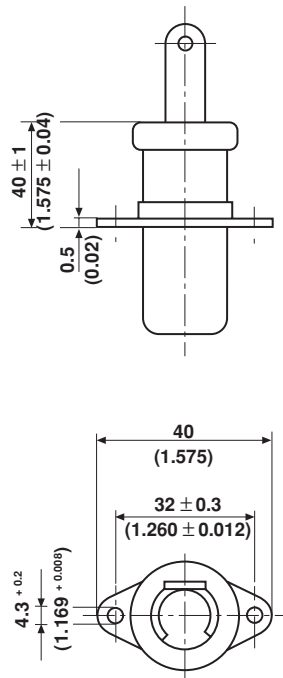


Tubular Capacitors, Tag Mounting

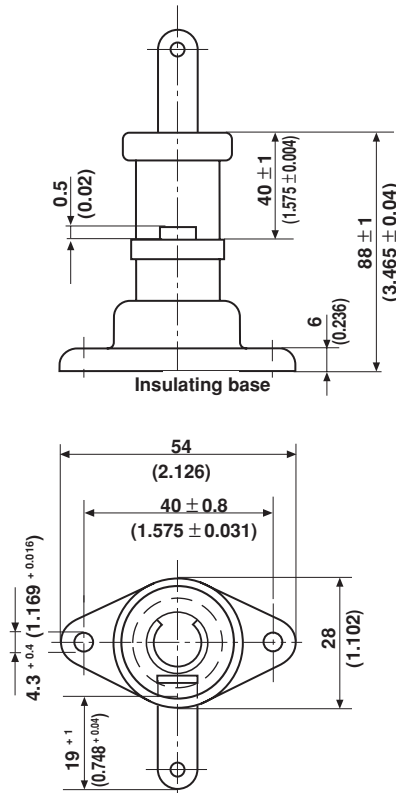
RA 020080 4KV_p



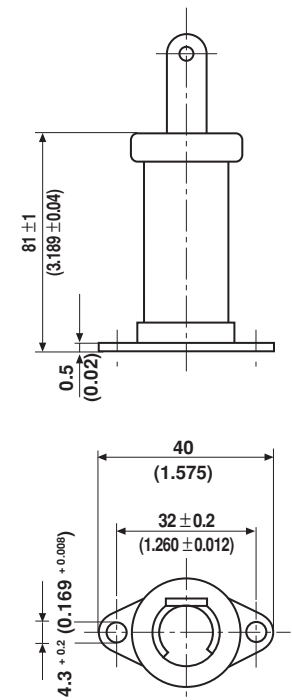
RB 020080 4KV_p



RC 020080 4KV_p



RE 020080 4KV_p



• Dimensions in millimeters (inches)

MATERIAL:

Capacitor elements made from Class 1 ceramic dielectric with noble metal electrodes.

Connection terminals: Copper/brass, silver plated.

FINISH:

Capacitor body completely laquered.

Insulating ceramic base glazed (Model RC only).

MARKING:

Type designator, Capacitance value and tolerance, Rated voltage (peak value), Production date code, Ceramic material code, DRALORIC Logo

ORDERING INFORMATION				
RA 020080	4KV _p	1600pF	± 20%	R 85
MODEL	RATED VOLTAGE	CAPACITANCE VALUE	TOLERANCE	CERAMIC



R. 020080				
CERAMIC	CAPACITANCE VALUE [pF]	RATED VOLTAGE [KV_p]	RATED POWER [KVA_r]	RATED CURRENT [A_{RMS}]
R 7	60	4	8.0	6
	80			
	100			
	120			
	160			
R 42	200	4	10.5	6
	250			
	300			
	400			
	500			
	600			
	800			
R 85	1000	4	10.5	6
	1200			
	1600			
	2000			

CAPACITANCE TOLERANCES: ± 20%, ± 10%, ± 5%
Other capacitance values and tolerances are available on request.